

ELIT RFS40-63

Reinforced insulated flexible distance clamp, 40 - 63 mm

Technical description

ELIT RFS40-63 is a reinforced support for mounting and mechanical bracing of ERIFLEX Flexibar in low-voltage distribution systems. The support helps keep flexible busbars correctly positioned and provides stable installation in panels and power distribution systems.

The product is designed to hold multiple parallel conductors simultaneously and ensures the correct spacing between the conductors. This contributes to optimal cooling and a more reliable installation under high load. The support is easy to install and can be used in compact panel solutions where flexible busbars are employed as power distribution systems.

ELIT RFS40-63 is developed for conductors with a width of 40 to 63 mm and can support up to eight conductors in parallel. The construction consists of stainless steel combined with insulating polyamide spacers. The spacers are halogen-free, and the product meets RoHS requirements, making it suitable for modern electrical installations with environmental and safety standards.

The recommended distance between supports is 400 mm to ensure adequate mechanical support and correct spacing between the busbars.

Advantages:

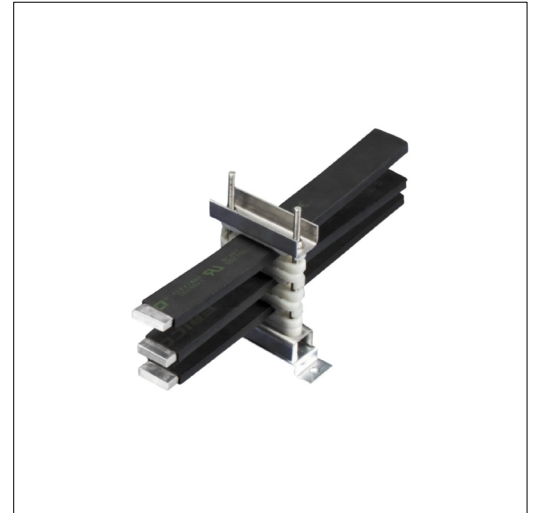
Easy to install

In accordance with RoHS

Supports up to eight conductors in parallel

Ensures the correct distance for optimal cooling

The spacers are halogen-free



Product name/ Art.nr/ GTIN	ELIT RFS40-63/ 20300028/ 7070810010073
According to:	EN IEC 61439-1
Type of accessory/spare part	Other
Accessory	Yes